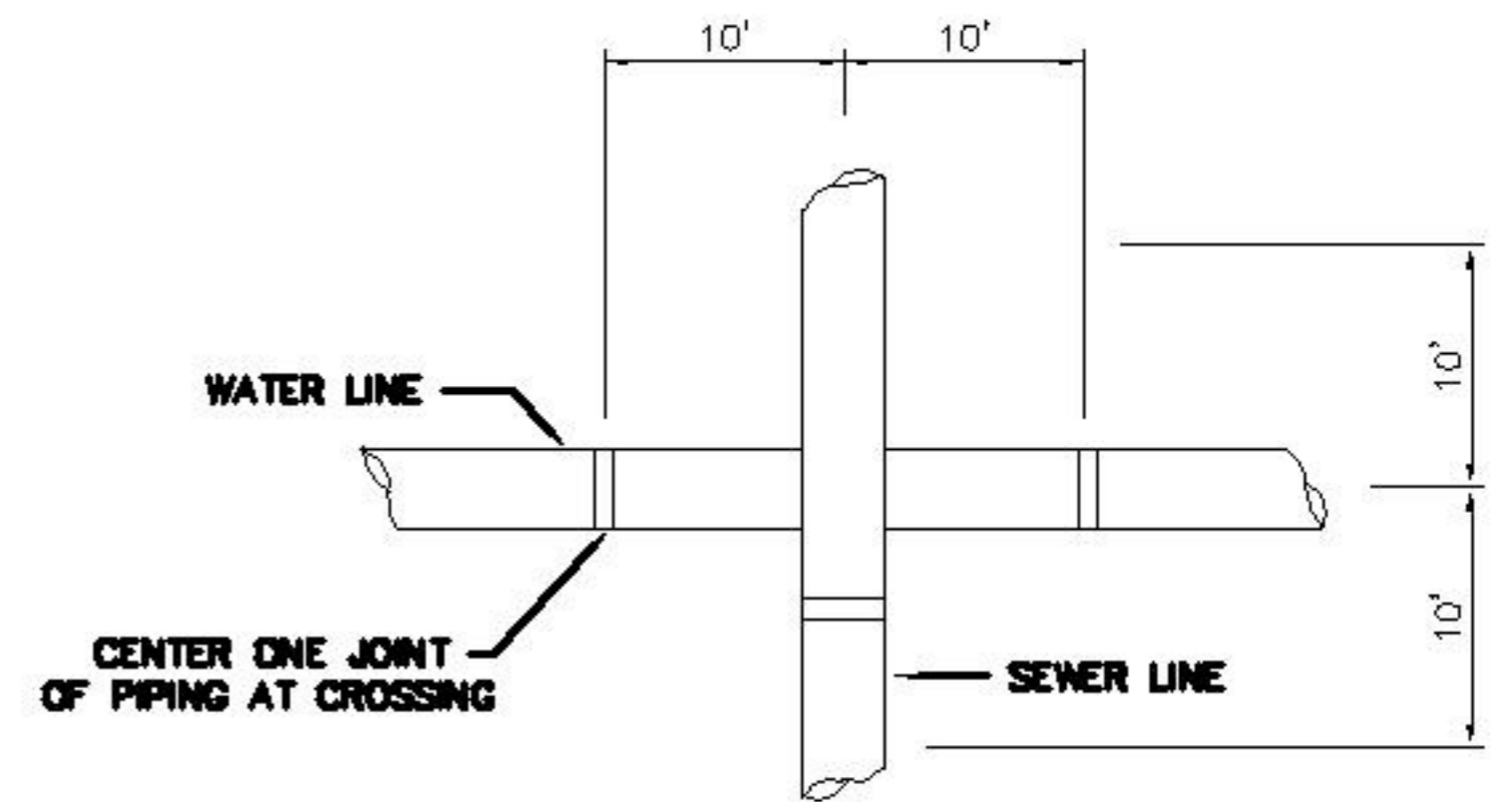
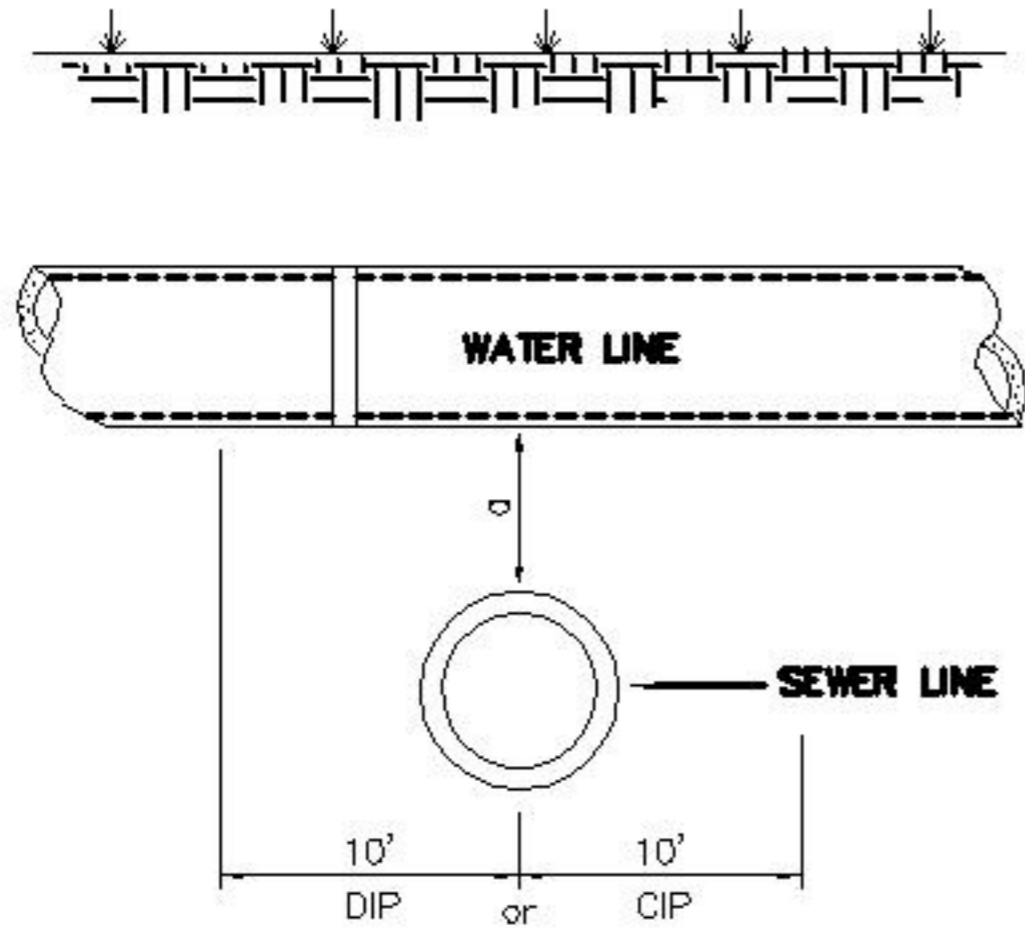


PLAN VIEW FOR WATER LINE OVER SEWER LINE W/LESS THAN 18" CLEARANCE

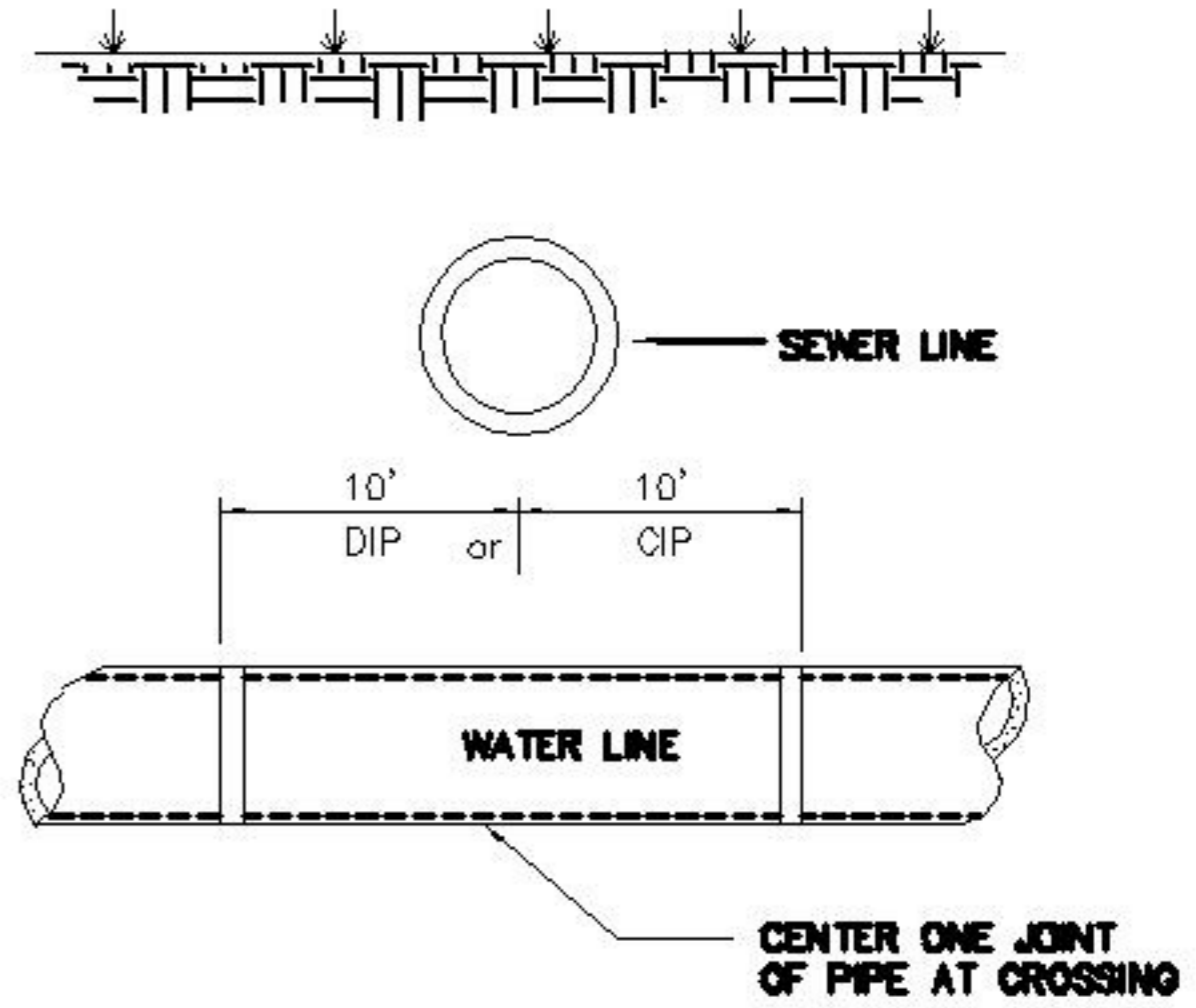


PLAN VIEW FOR WATER LINE UNDER SEWER LINE



0= LESS THAN 18" BOTH WATER AND SEWER LINE SHALL BE WATER MAIN STANDARDS (JOINT) FERROUS METAL PIPE (DIP), FOR 10' EACH SIDE OF CROSSING  
 0= OVER 18" REGULAR MATERIAL STANDARDS SHALL APPLY

NOTE: SEE STANDARD SPECIFICATIONS SECTION 2.12



WATER AND SEWER LINE SHALL BE WATER MAIN STANDARD (JOINTS) FERROUS METAL PIPE (DIP), FOR 10' EACH SIDE OF CROSSING. ONE JOINT OF WATER MAIN PIPE SHALL BE CENTERED AT THE POINT OF CROSSING.

REVISED	F.B.	PG.	DATE: MAY 1, 1984
			SCALE: NONE
			DRAWN BY: JDH
			CHECKED BY: DCC, FAP
			CITY ENGINEER: DEC

## STANDARD DETAIL

### FERROUS MATERIALS AND JOINT REQUIREMENTS FOR WATER LINE AND SEWER LINE CROSSINGS

OFFICE OF THE  
 CITY ENGINEER  
 GASTONIA, N.C.

FILE NO. **71B-18**