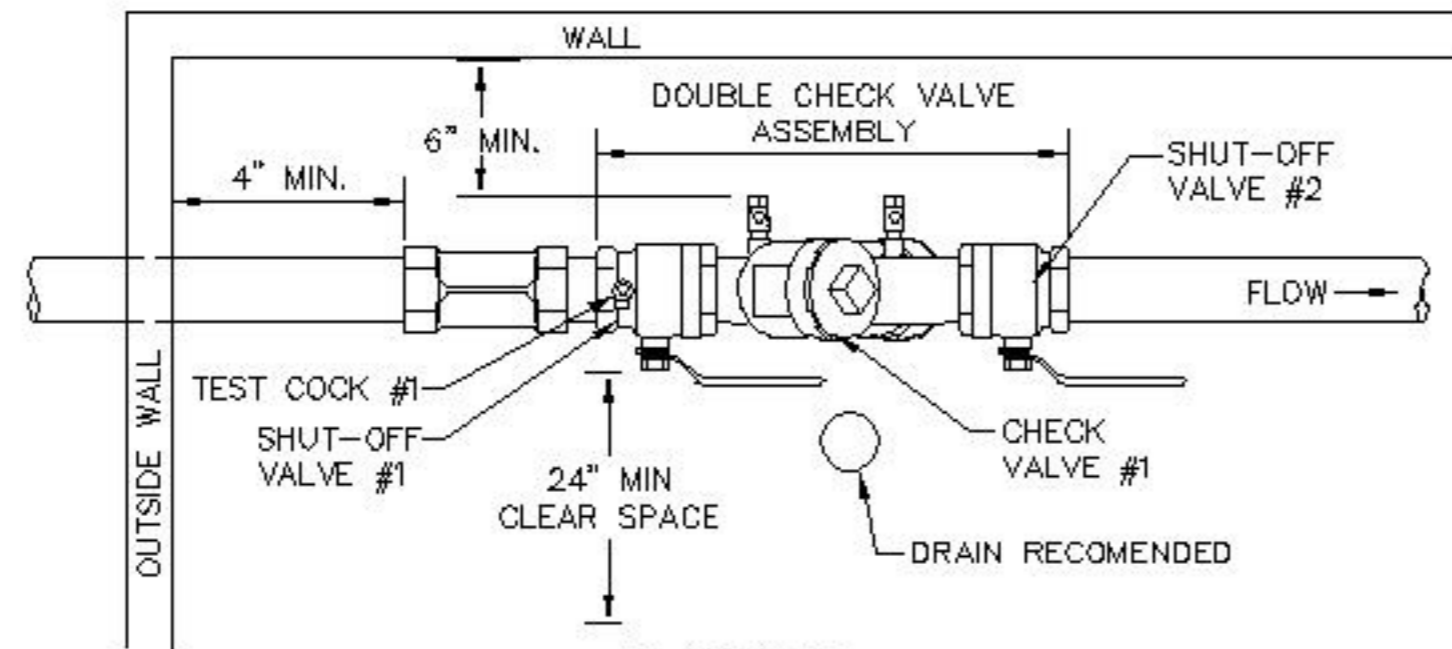
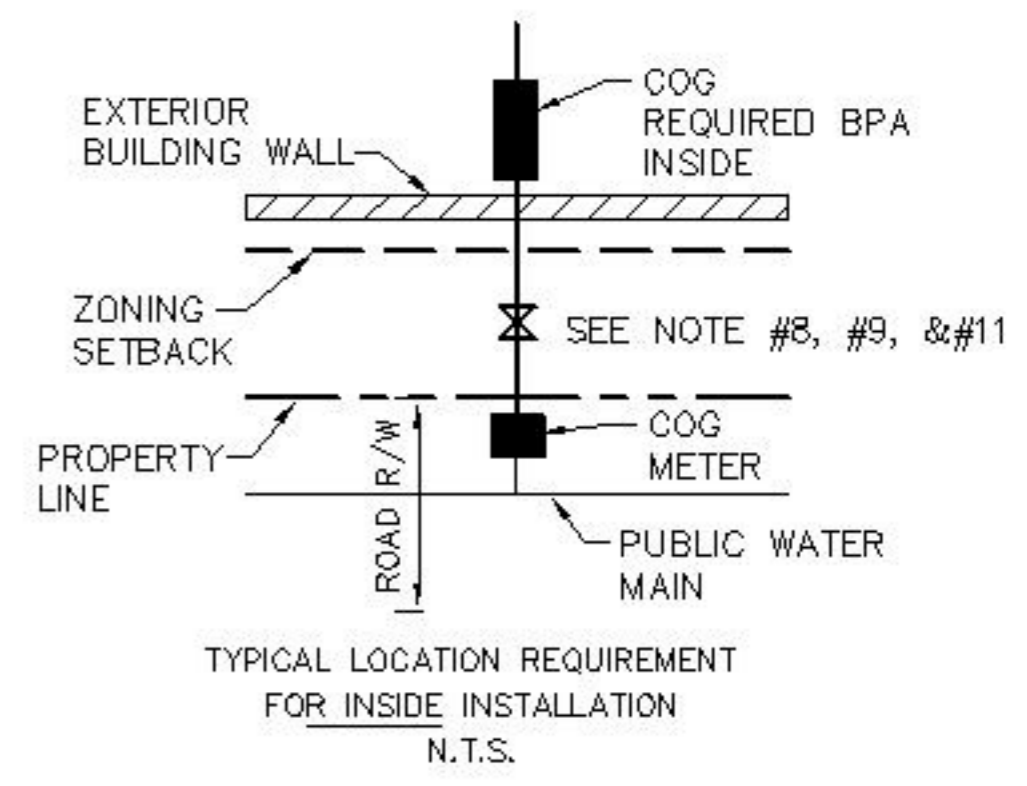


ELEVATION VIEW



PLAN VIEW



NOTES:

1. INDOOR INSTALLATION SHALL ONLY BE PERMITTED IN CASES WHERE ADEQUATE SPACE FOR THE BACKFLOW PREVENTION ASSEMBLY IS NOT AVAILABLE OUTSIDE. COG WILL REVIEW ON A CASE BY CASE BASIS.
2. DOUBLE CHECK VALVE ASSEMBLIES (DC) MUST CONFORM TO COG SPECIFICATIONS. REFER TO COG APPROVED LIST OF BPA'S.
3. COG APPROVED DC INCLUDES SHUT-OFF VALVES #1 AND #2 AS PART OF THE ASSEMBLY. NO SUBSTITUTIONS SHALL BE PERMITTED.
4. TEST COCK #1 SHALL BE UPSTREAM OF SHUT-OFF VALVE #1 AND IS PART OF THE APPROVED ASSEMBLY.
5. ASSEMBLIES SHALL BE INSTALLED UPRIGHT AND IN THE HORIZONTAL POSITION, UNLESS OTHERWISE APPROVED.
6. PIPE MATERIAL AND FITTINGS SHALL BE AS SPECIFIED IN COG STANDARDS & SPECIFICATIONS.
7. SUPPORT FOR ASSEMBLY SHALL BE DESIGNED BY OWNER AS REQUIRED.
8. ALL LOCATIONS FOR BPA'S REQUIRE COG APPROVAL.
9. THERE SHALL BE NO TAPS, PIPING BRANCHES, UNAPPROVED BYPASS PIPING, HYDRANTS, FIRE DEPT. CONNECTION POINTS, OR OTHER WATER-USING APPURTENANCES CONNECTED TO THE SUPPLY LINE BETWEEN ANY WATER METER AND ITS COG-REQUIRED BACKFLOW PREVENTER.
10. EACH COG-REQUIRED BPA IS REQUIRED TO BE TESTED BY A COG-APPROVED CERTIFIED TESTER PRIOR TO PLACING THE WATER SYSTEM IN SERVICE.
11. SHUT OFF VALVE REQUIRED BETWEEN METER AND BPA TO ALLOW REMOVAL FOR SERVICE WITHOUT TURNING OFF METER. CAN BE INSIDE BUILDING AS NEEDED.

REVISED	F.B.	PG.	DATE: JUNE 10, 2003	STANDARD DETAIL DOUBLE CHECK VALVE ASSEMBLY (DC) 3/4"-2" INDOOR	OFFICE OF THE CITY ENGINEER
			SCALE: NONE		GASTONIA, N.C.
			DRAWN BY: TAJ		FILE NO. 71B-39
			CITY ENGINEER: FAP		