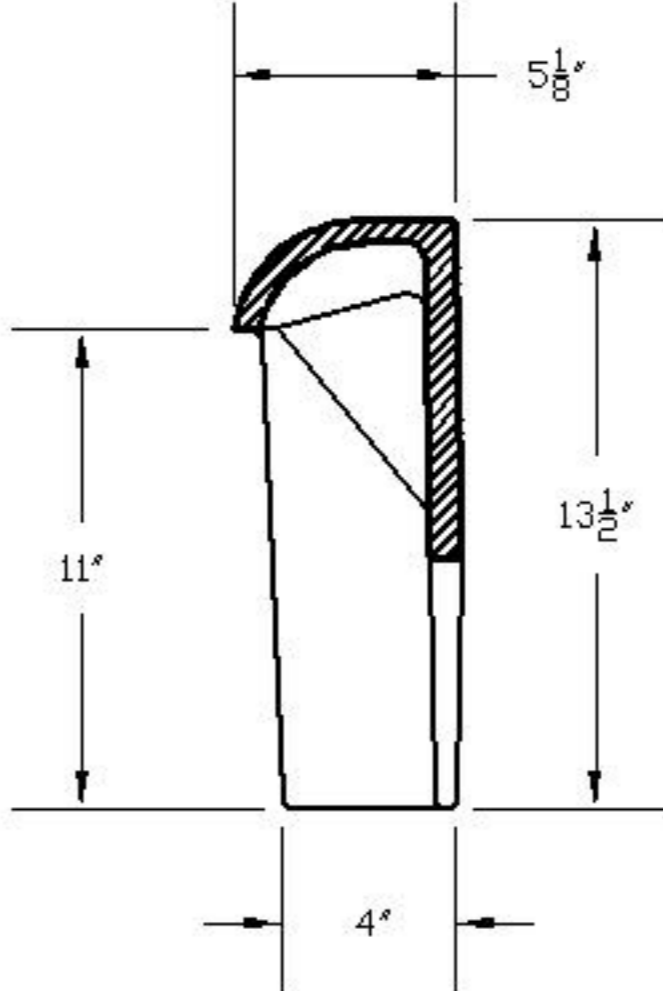
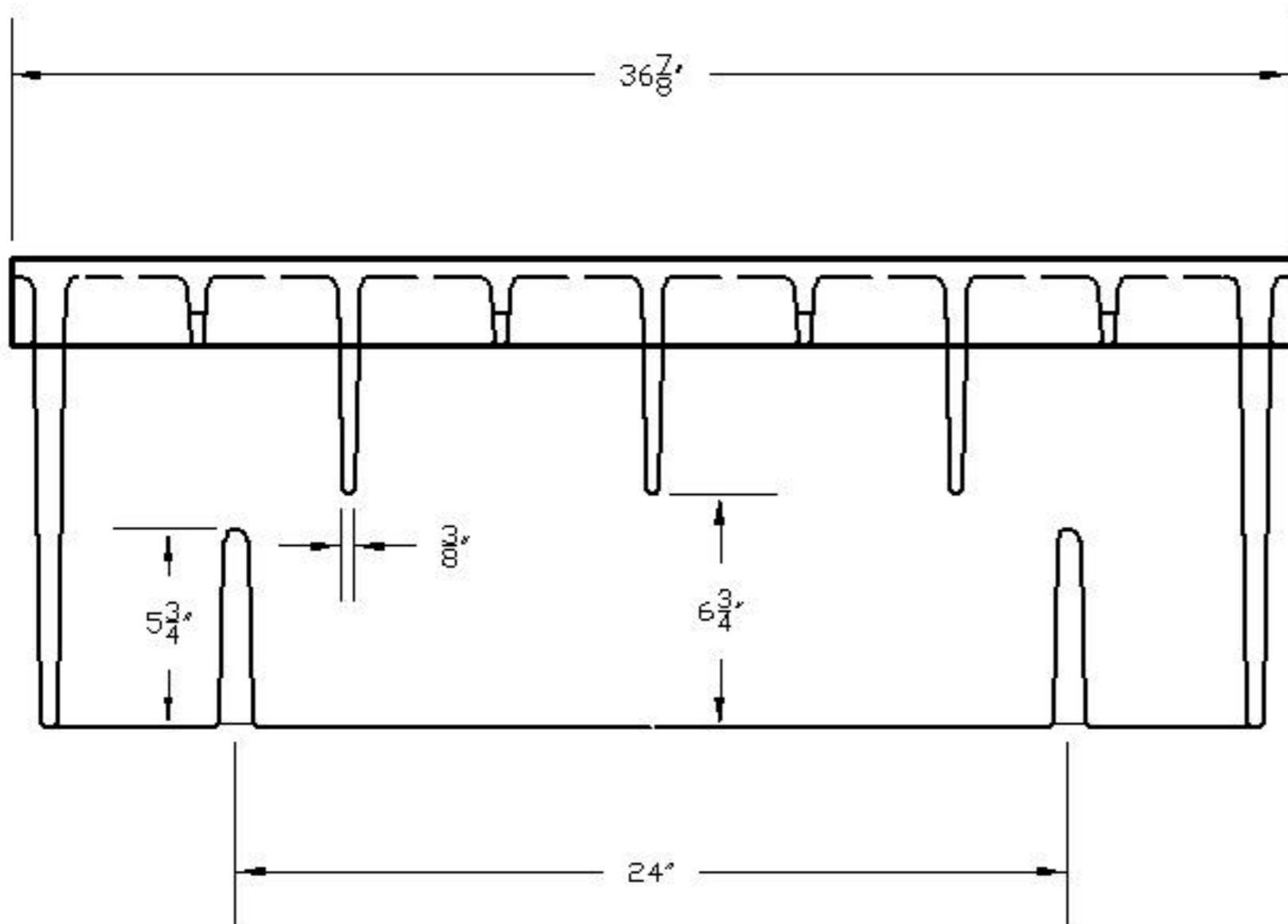


NOTE:

1. GRAY IRON A.S.T.M. A48 CL35
2. PRODUCT NO. 44066068 CATALOG NO. V-4066 (EAST JORDAN IRON WORKS, INC. EAST JORDAN, MI.)
3. US FOUNDRY USF 5181-6420, 6425, OR 6430
4. ENNIS 840.03



REVISED	F.B.	PG.	DATE: 2/26/01
			SCALE: NONE
			DRAWN BY: JHD
			CHECKED BY:
			CITY ENGINEER: JPB

STANDARD DETAIL

STANDARD CATCH BASIN HOOD

OFFICE OF THE
CITY ENGINEER
GASTONIA, N.C.

FILE NO. **71C-3**