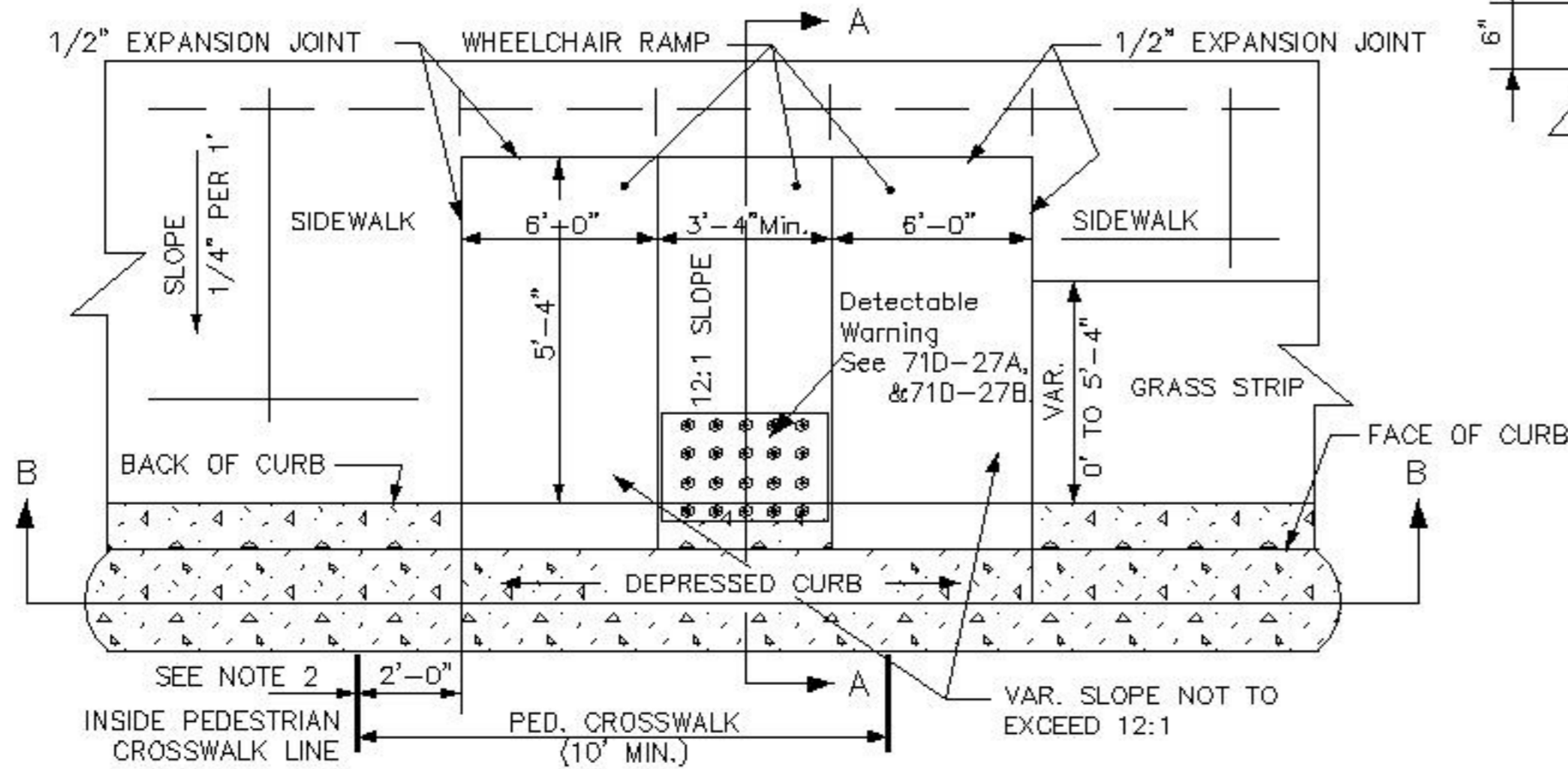
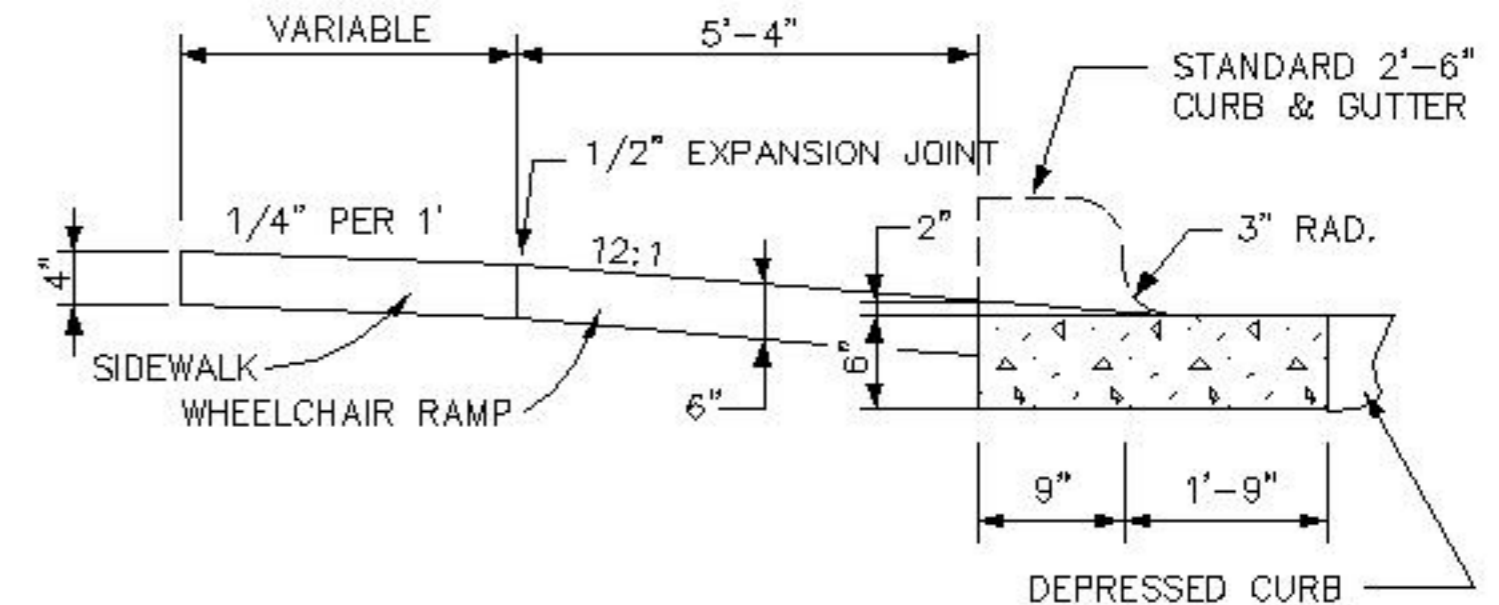


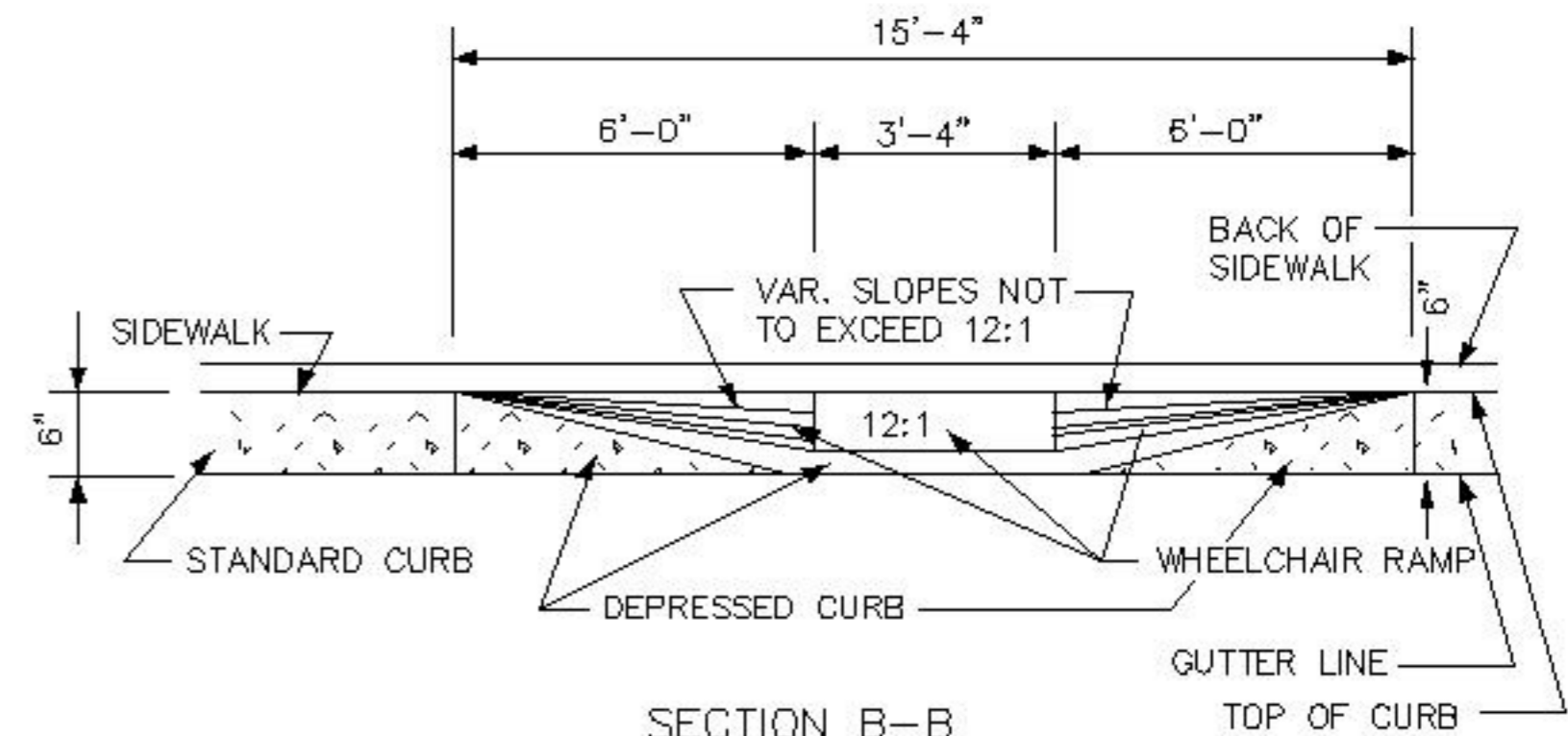
TYPICAL LOCATION OF WHEELCHAIR RAMP, PEDESTRIAN CROSSWALKS & STOP BARS



PLAN VIEW (TYPE "A" WHEELCHAIR RAMP)



SECTION A-A



SECTION B-B

NOTE: See Details 71D-27A, & 71D-27B.

REVISED	F.B.	PG.	DATE: APRIL 20, 1974
11/1/81			SCALE: NONE
6/22/06			DRAWN BY: N.B.M. jds
8/11/06			CHECKED BY: R.E.D. GVS
			CITY ENGINEER: FRW FAP

Standard Detail

DETAILS FOR TYPE "A" WHEELCHAIR RAMP

OFFICE OF THE
CITY ENGINEER
GASTONIA, N.C.

FILE NO.

71D-27