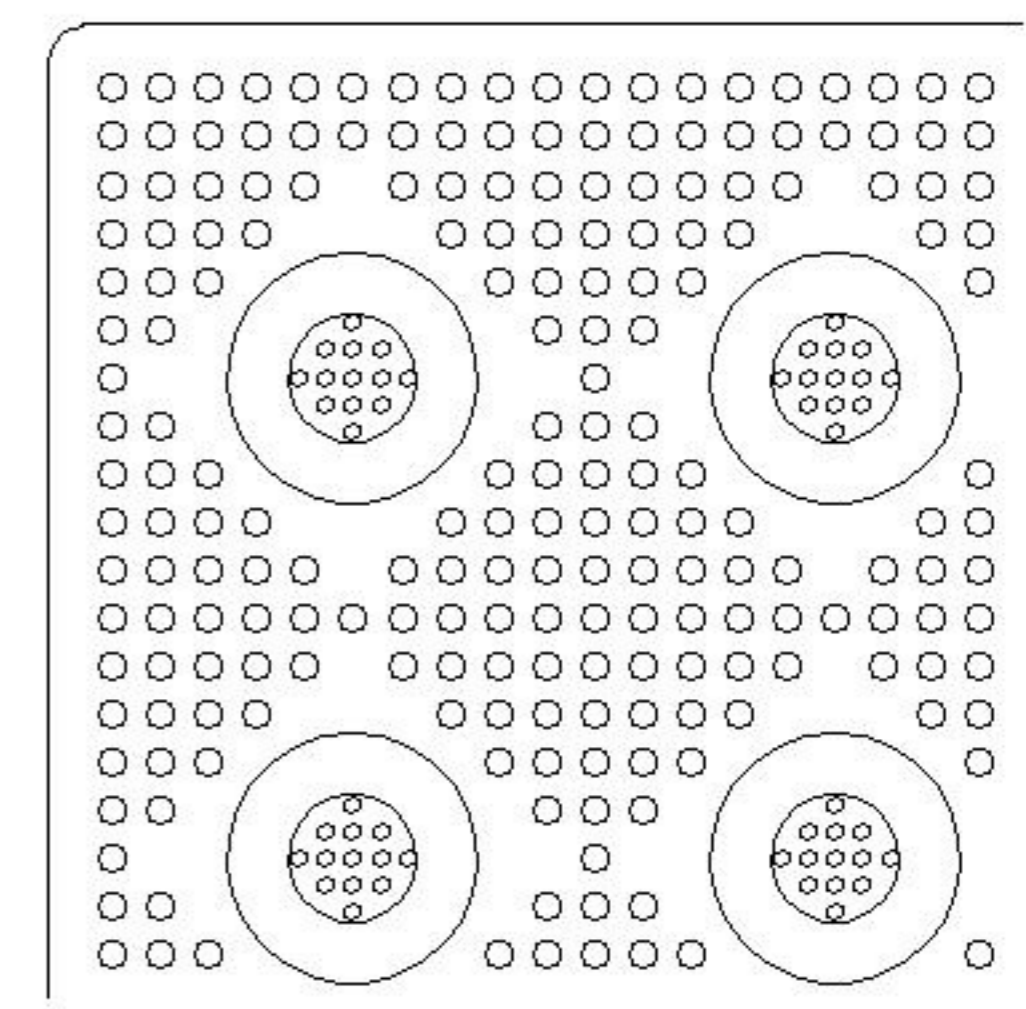
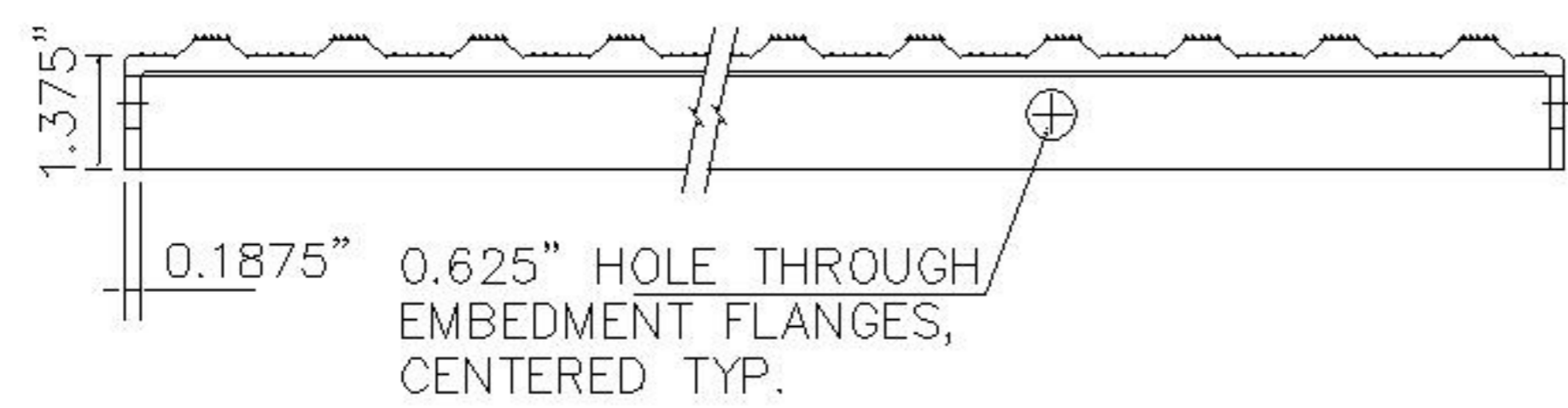


PLAN

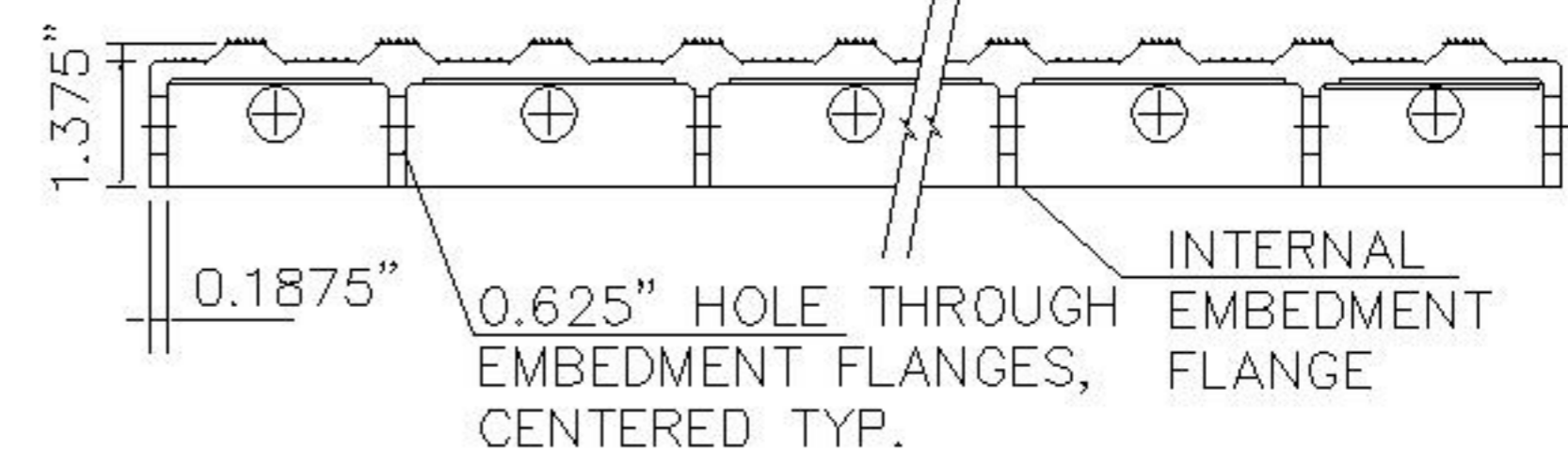


DETAIL - 1

ADA SOLUTIONS INC. ARMOR-TILE
 24" x 36" CAST IN PLACE
 24" x 48" ADA-C-2436
 ADA-C-2448



SECTION A-A



SECTION B-B

REVISED	F.B.	PG.	DATE: 6-20-06
Rev.	NA	NA	SCALE: None
8/11/06			DRAWN BY: jds
			CHECKED BY: GVS
			CITY ENGINEER: FAP

Standard Detail
 Cast in Place Detectable Warning
 Surface for Type A Wheelchair Ramp

OFFICE OF THE
 CITY ENGINEER
 GASTONIA, N.C.

FILE NO. **71D-27A**