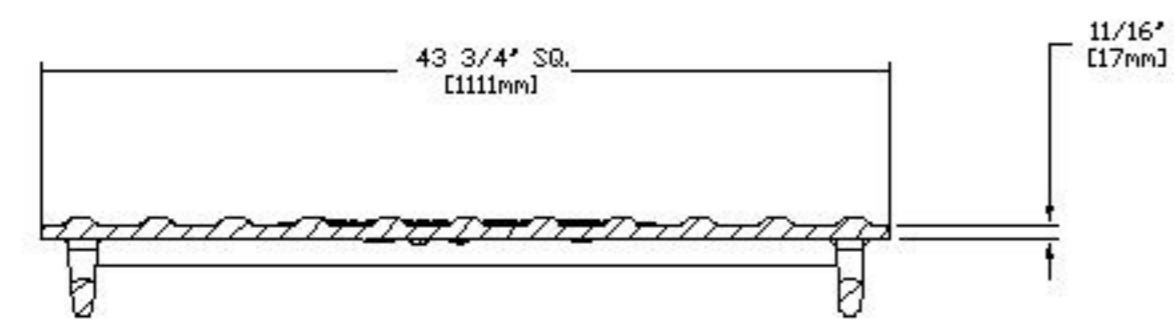
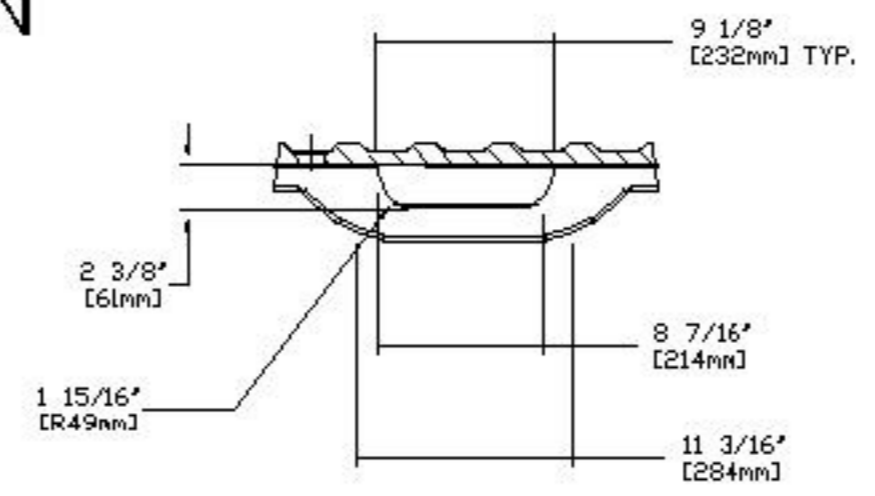


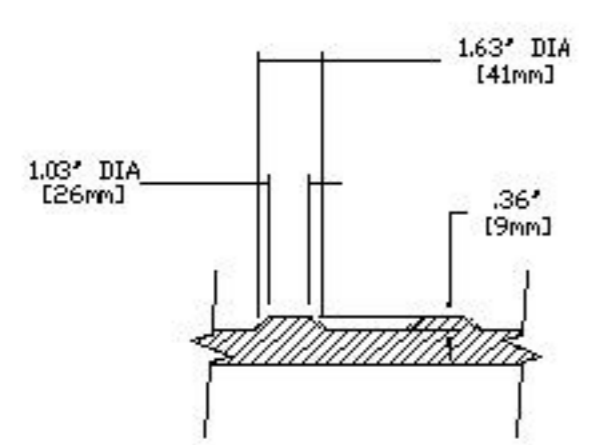
SECTION



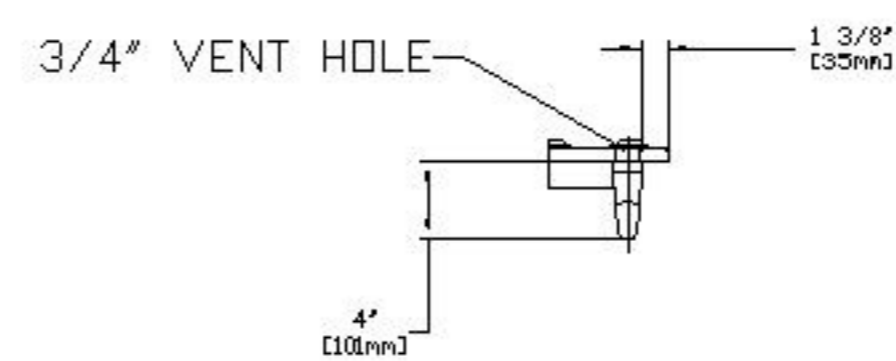
SECTION



ANCHOR POCKET DETAIL



BUTTON DETAIL



SIDE DETAIL

**MIN. OF 2 - 2' x 2' PLATES SHALL BE USED AT ALL LOCATIONS**

EAST JORDAN IRON WORKS  
CATALOG NO. 7005-7  
BLACK IN COLOR

ESTIMATED WEIGHT  
PLATE: 68 LBS 31kg

REVISED	F.B.	PG.	DATE: 8-10-06
Rev.	NA	NA	SCALE: None
			DRAWN BY: jds
			CHECKED BY: GVS
			CITY ENGINEER: FAP

**Standard Detail**

Cast in Place Detectable Warning Surface for Type B Wheelchair Ramp

OFFICE OF THE  
CITY ENGINEER  
GASTONIA, N.C.

FILE NO. **71D-28B**