

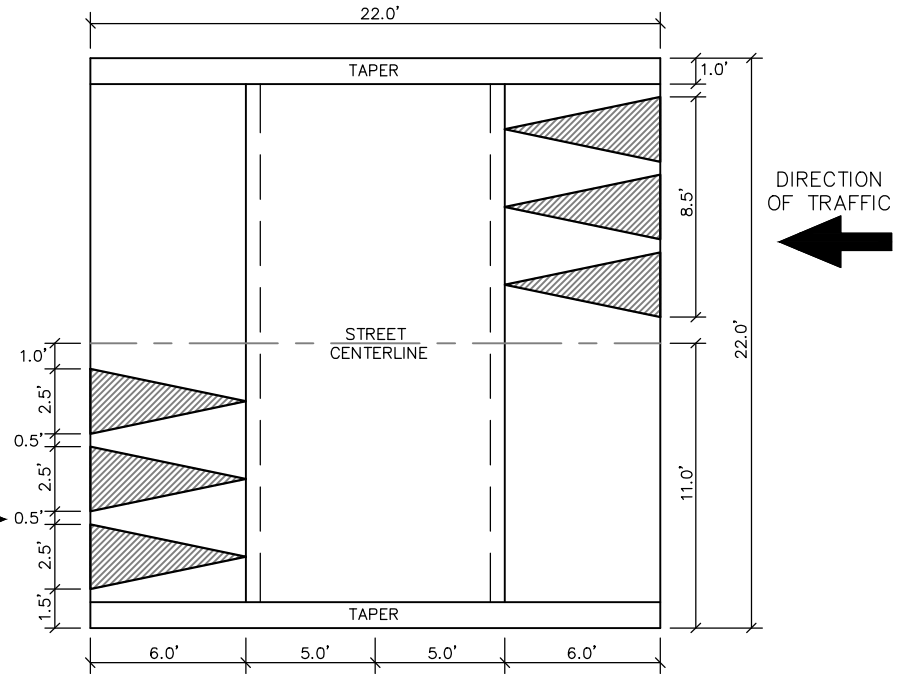


ONE SIGN
EACH DIRECTION

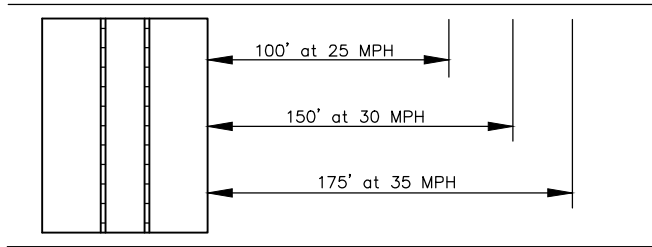


SIGNAGE
NTS

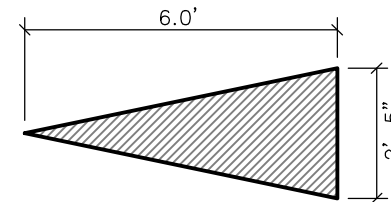
DIRECTION
OF TRAFFIC
→



TYPICAL PAVEMENT MARKINGS
NTS



ROAD SPEED AND SIGN PLACEMENT
NTS



REVISED	F.B.	PG.	DATE: 08/16/11
			SCALE: None
			DRAWN BY: MGB
			CHECKED BY: GVS, DKL
			CITY ENGINEER: CCB

Standard Detail
ROAD HUMP

OFFICE OF THE
CITY ENGINEER
GASTONIA, N.C.

FILE NO. **71D-39B**