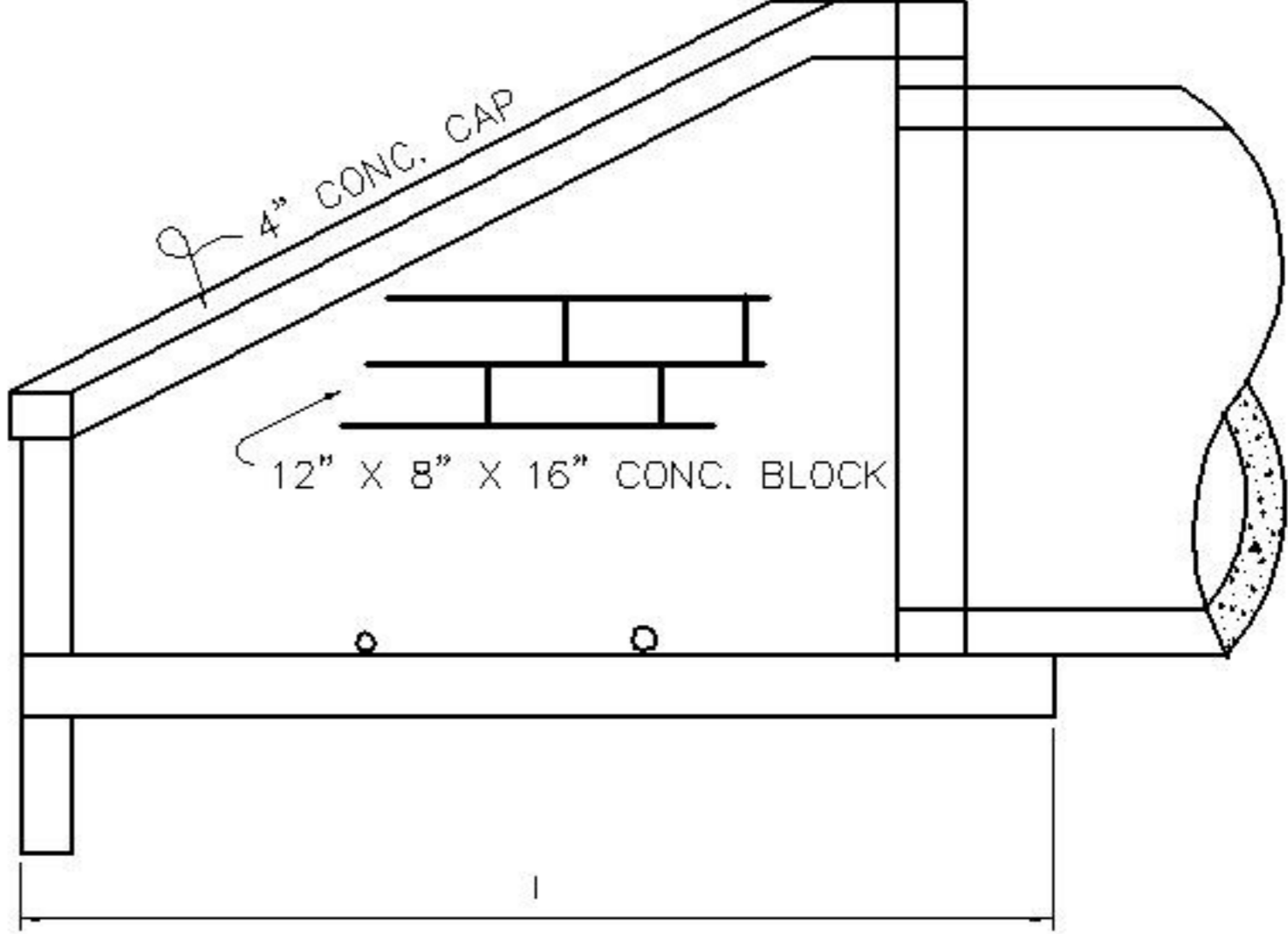


— FRONT ELEV. —



— SIDE ELEV. —

**NOTE: SEE FILE NO. 71C-18 & 19  
FOR DIMENSIONS  
SEE 71C-11 FOR TOP ELEV.**

**NOTE: 1 (ONE) CUBIC FOOT OF #57 WASHED  
STONE IS REQUIRED BEHIND EACH  
WEEP HOLE.**

WEEP HOLES USED WITH 15"-42" PIPE  
WILL BE PLACED 6" INSIDE WING;  
48"-96" WILL BE PLACED 8" INSIDE WING

|         |      |     |                      |
|---------|------|-----|----------------------|
| REVISED | F.B. | PG. | DATE: 4-23-74        |
| 9/1/90  |      |     | SCALE: NONE          |
| 1/05/95 |      |     | DRAWN BY: PNR, EZ    |
|         |      |     | CHECKED BY: NBM, FAP |
|         |      |     | CITY ENGINEER: DEC   |

**STANDARD DETAIL**

CONCRETE BLOCK HEADWALL WITH WING  
WALLS FOR ALL SIZES OF RCP

OFFICE OF THE  
CITY ENGINEER  
GASTONIA, N.C.

FILE NO. **71C-10**