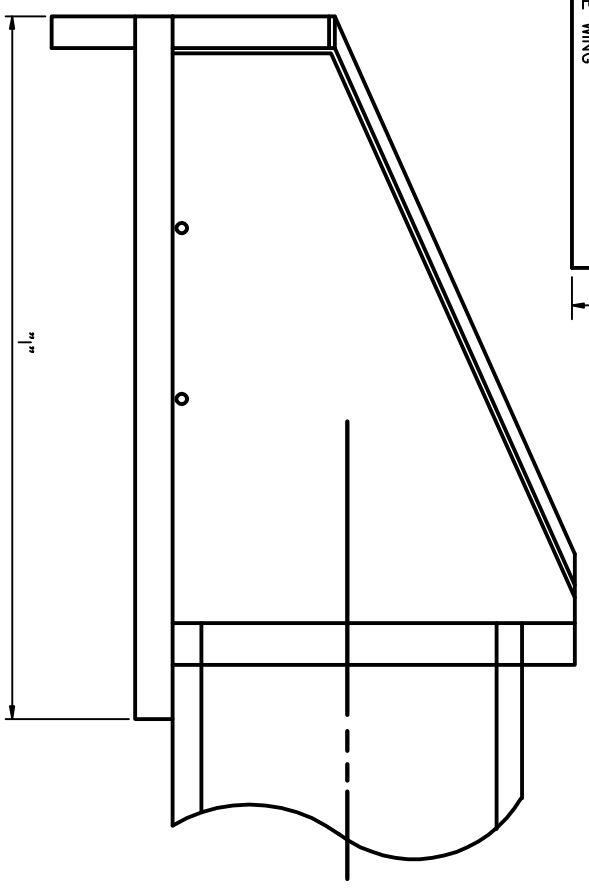


FRONT ELEV.

NOTE: SEE FILE NO. 71C-18 & 19 FOR DIMENSIONS SEE 71C-13 FOR TOP ELEV.

NOTE: 1 (ONE) CUBLIC FOOT MINIMUM OF #57 WASHED STONE IS REQUIRED BEHIND EACH WEEP HOLE.



SIDE ELEV.

REVISED	F.B.	PG.	DATE: 2/25/74	Standard Detail	Reinforced Concrete Headwall With Wing Walls	OFFICE OF THE CITY ENGINEER GASTONIA, N.C.
9/14/90			SCALE: None			
			DRAWN BY: PNR			FILE NO. 71C-12
			CHECKED BY: NBM, FAP			
			CITY ENGINEER: DBC			