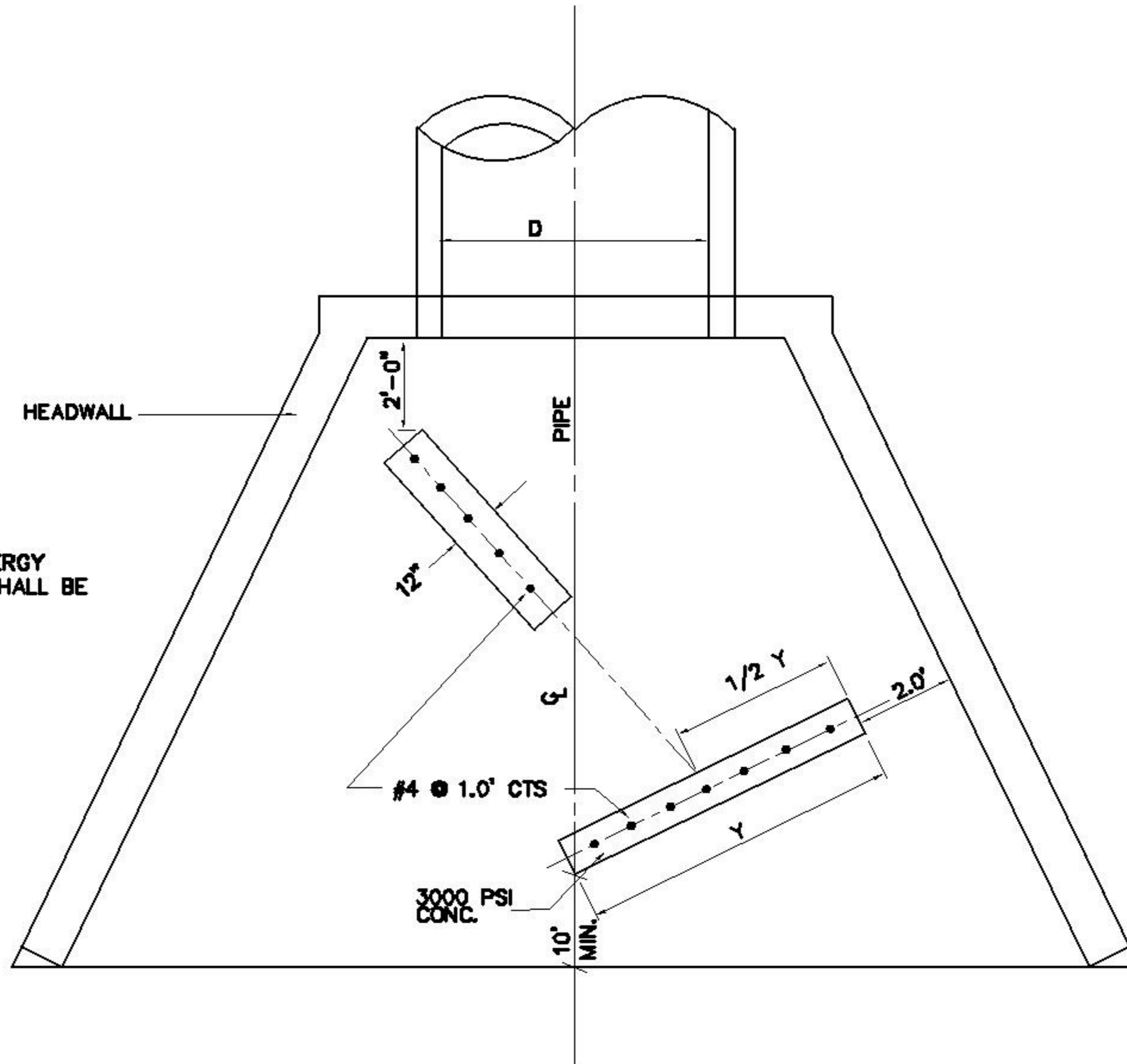


NOTE: HEIGHT OF ENERGY
DISSIPATORS SHALL BE
 $1/2 D$



REVISED	F.B.	PG.	DATE: 5-23-75
			SCALE: NONE
			DRAWN BY: PNR
			CHECKED BY: FAP
			CITY ENGINEER: FRW

STANDARD DETAIL

ENERGY DISSIPATING HEADWALL - TYPE II

OFFICE OF THE
CITY ENGINEER
GASTONIA, N.C.

FILE
NO.

71C-24A