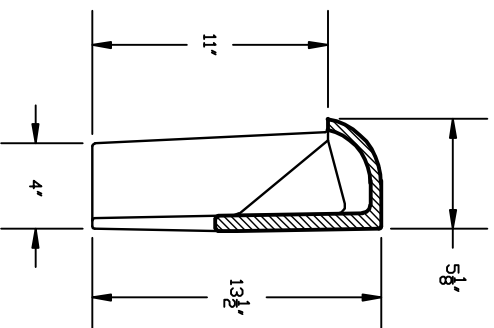
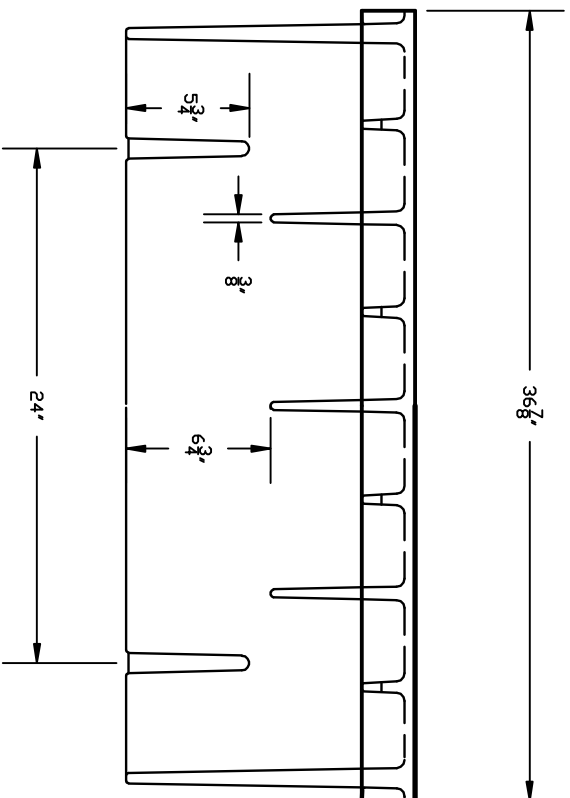




DUMP NO WASTE! DRAINS TOCATAWBA RIVER
MADE IN USA

3" LETTERING



- NOTE:
1. GRAY IRON A.S.T.M. A48 CL35
 2. PRODUCT NO. 44066068 CATALDQ ND, V-4066 (EAST JORDAN IRON WORKS, INC. EAST JORDAN, MI)
 3. US FOUNDRY USF 5181-6420, 6425, DR 6430
 4. ENNIS 840.03

REVISED F.B. PG. DATE: 2/26/01

SCALE: None

DRAWN BY: JHD

CHECKED BY:

CITY ENGINEER: JPB

Standard Detail

Standard Catch Basin Hood

OFFICE OF THE
CITY ENGINEER
GASTONIA, N.C.

FILE NO. 71C-3