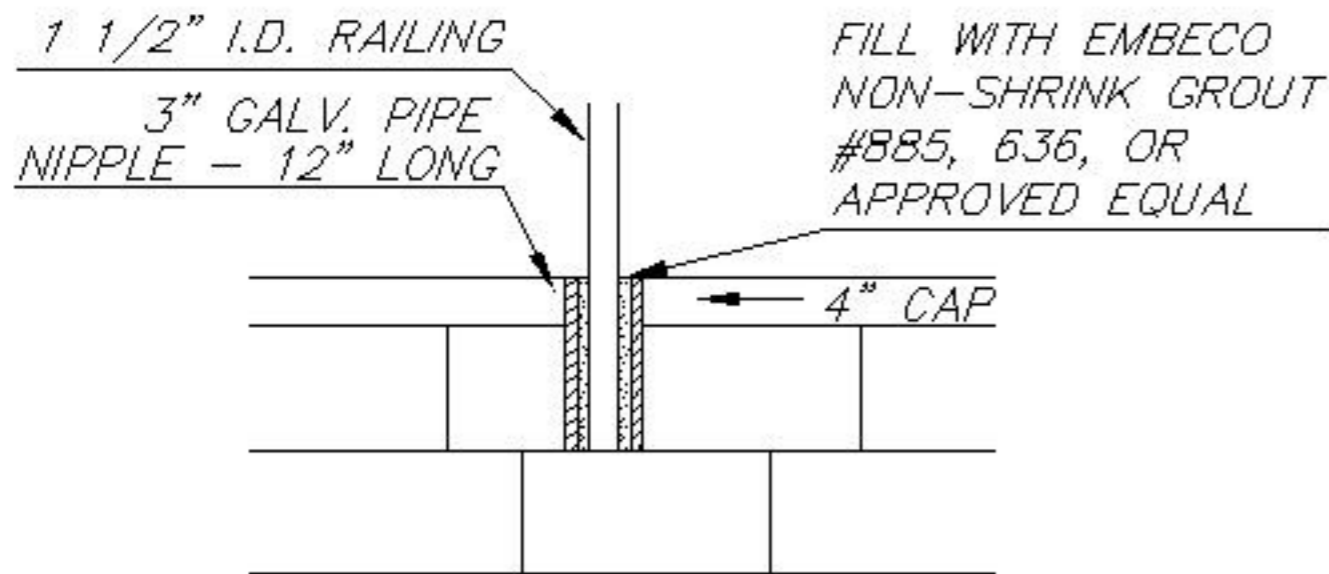


**RAILING FOR HEADWALL/WINGWALL INSTALLATIONS  
(NTS)**

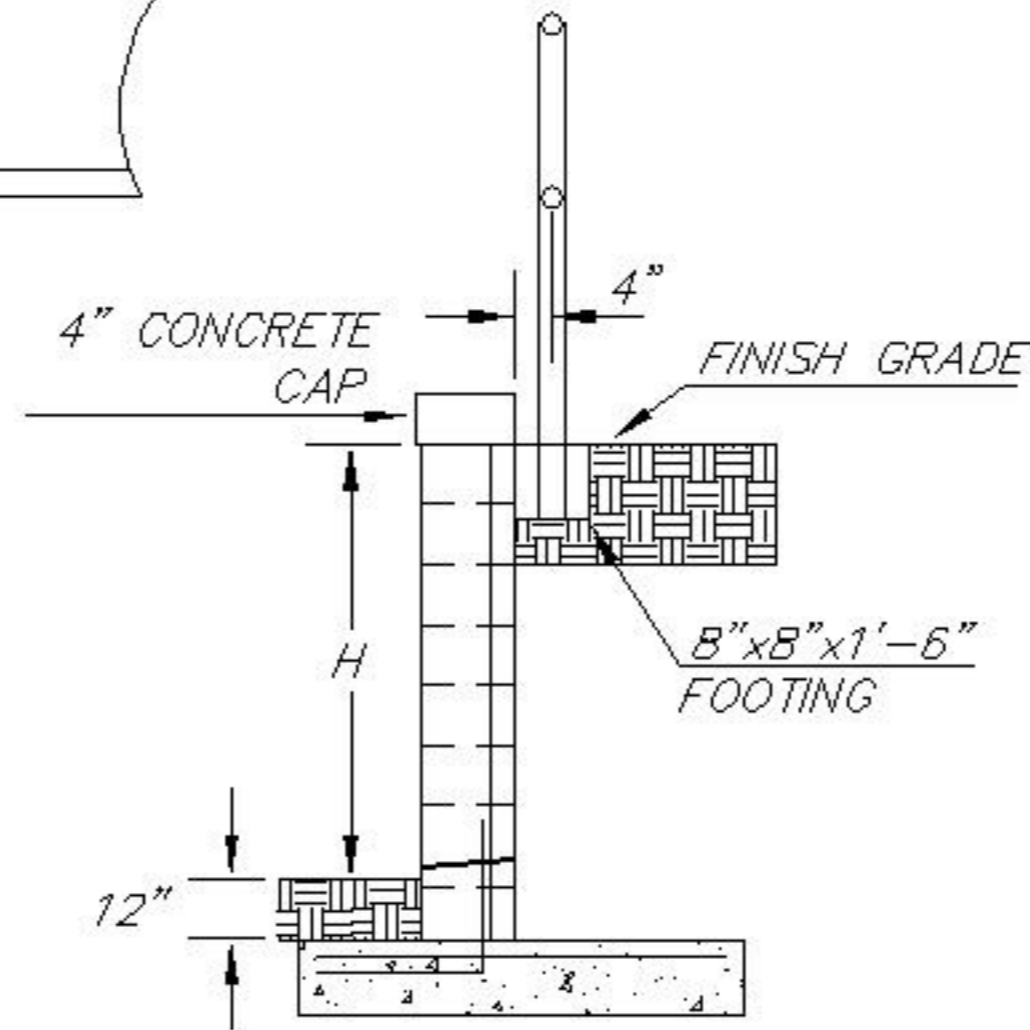


WALL TYPE VARIES

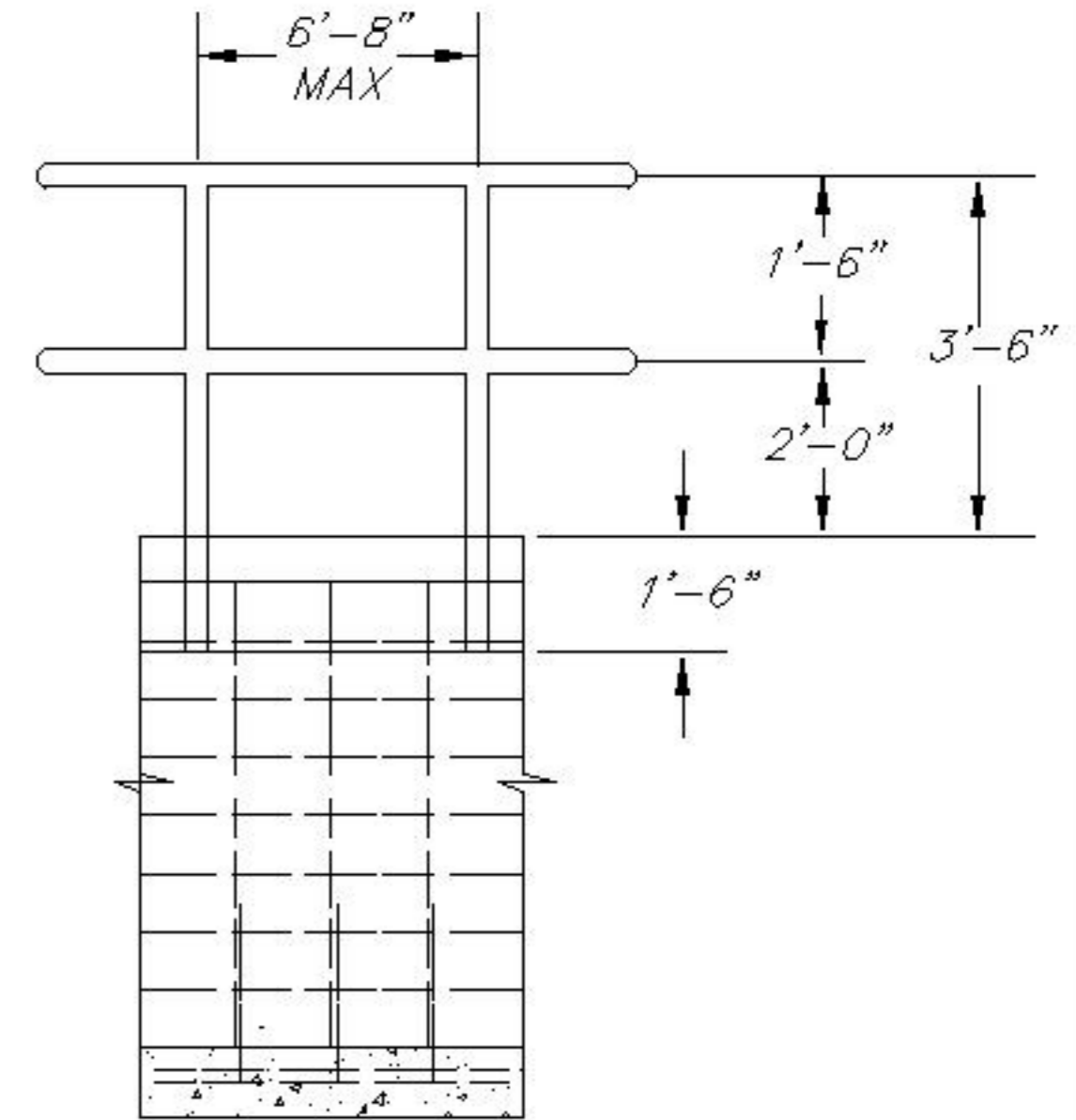
**INSTALLATION FOR WALL 12" AND LARGER IN THICKNESS**

NOTE: WALL MAY BE DRILLED IN LIEU OF SETTING SLEEVE—SAME CAULKING REQUIRED.

**SLEEVE DETAIL FOR HANDRAIL (NTS)**



**INSTALLATION FOR WALLS LESS THAN 12" THICKNESS  
(NTS)**



RAILING IS REQUIRED WHEN  $H=2.5'$  OR MORE FOR RETAINING WALLS. ALL RAILING IS TO BE OF 1.5" I.D. SCHEDULE 40 BLACK OXIDE STEEL PIPE. IT SHALL BE PRIMED ACCORDING TO MFG. RECOMMENDATIONS AND ALUMINUM PAINTED.

**TYPICAL HANDRAIL DETAIL  
(NTS)**

REVISED	F.B.	PG.	DATE: 2-16-94
03/27/95			SCALE: NONE
			DRAWN BY: DYS, DBD
			CHECKED BY: FAP
			CITY ENGINEER: JPB

**STANDARD DETAIL**

HANDRAIL DETAIL

OFFICE OF THE  
CITY ENGINEER  
GASTONIA, N.C.

FILE NO. **71C-35**