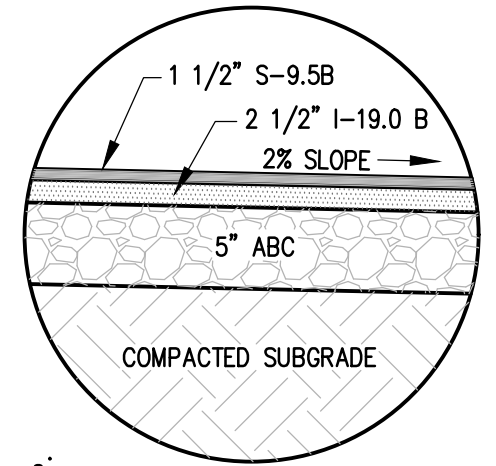
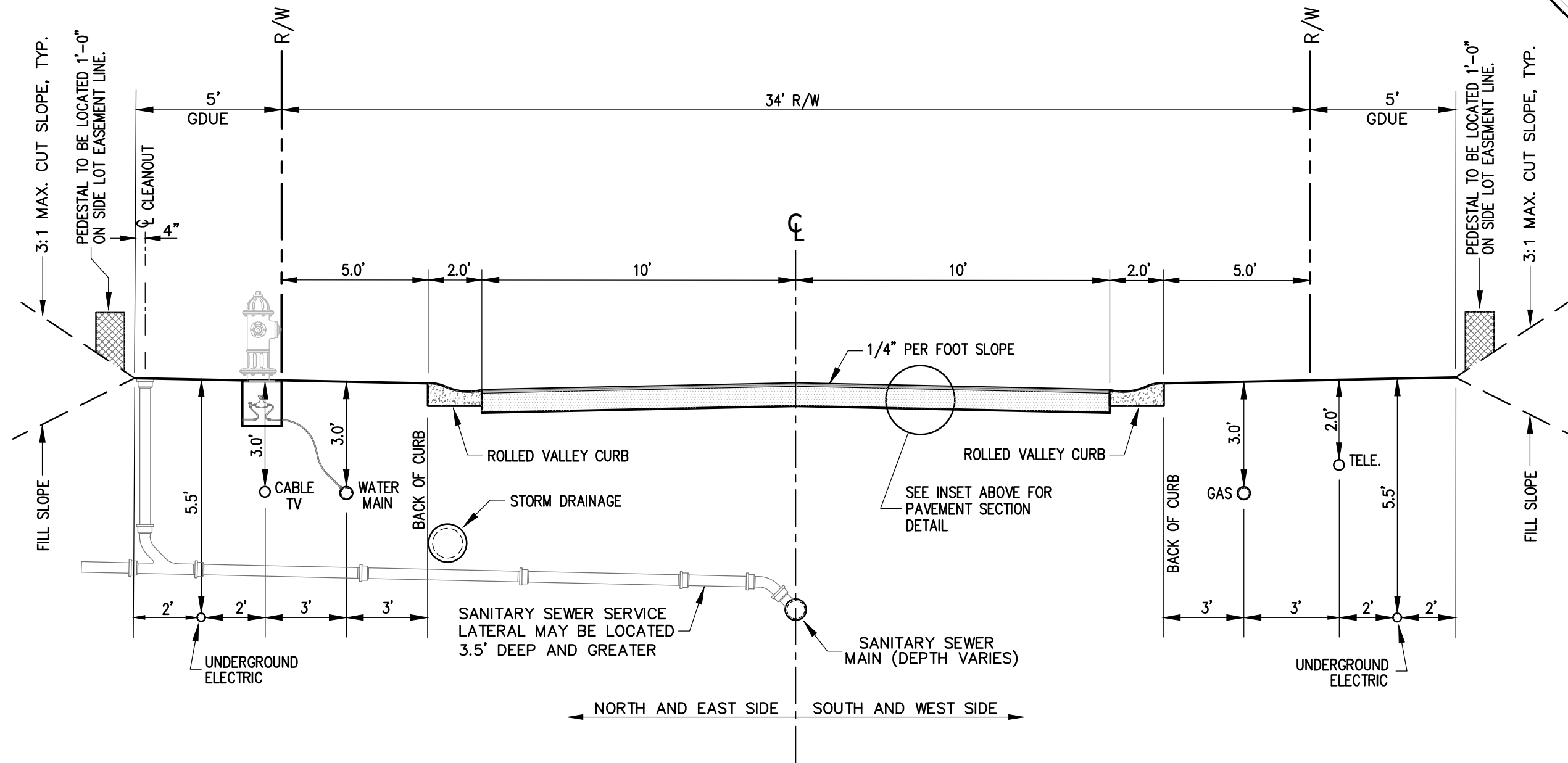


NOTES:

1. SIDEWALKS WILL BE LOCATED ALONG REAR OF STRUCTURE.
2. NO ON-STREET PARKING ALLOWED FOR THIS SECTION.
3. FOR SINGLE FAMILY ATTACHED.



INSET
NOT TO SCALE



REVISED	DATE: 03/29/21
	SCALE: NONE
	DRAWN BY: MGB, TAJ
	CHECKED BY: TAJ
	CITY ENGINEER: GVS



STANDARD DETAIL - R2D2
FAT ALLEY CROSS SECTION
FA-34-20

OFFICE OF THE
CITY ENGINEER
GASTONIA, N.C.