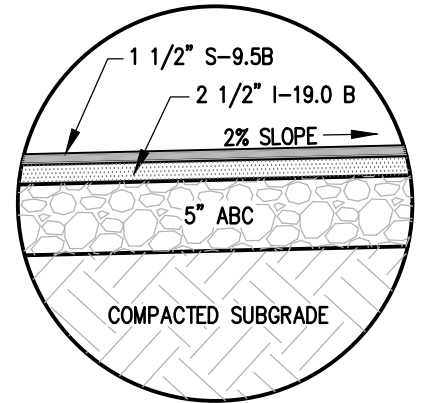
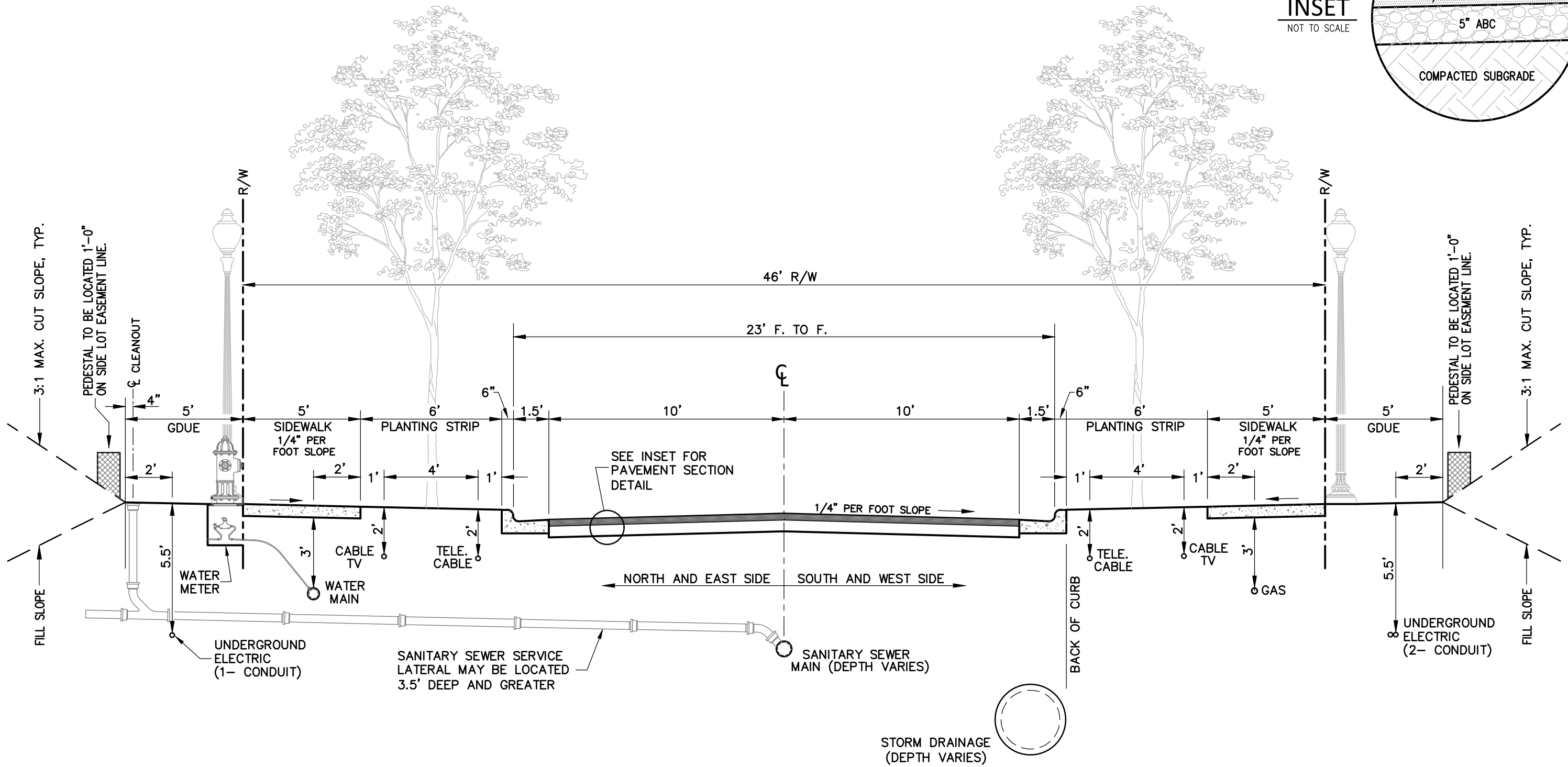


NOTE:
 1. ON STREET PARKING NOT ALLOWED WITH THIS SECTION.



INSET
 NOT TO SCALE



REVISED	DATE: 04/05/21
	SCALE: NONE
	DRAWN BY: MGB, TAJ
	CHECKED BY: TAJ
	CITY ENGINEER: GVS



STANDARD DETAIL - R2D2
 ST-46-20 FRONT LOADED
 TOWNHOME STREET

OFFICE OF THE
CITY ENGINEER
 GASTONIA, N.C.