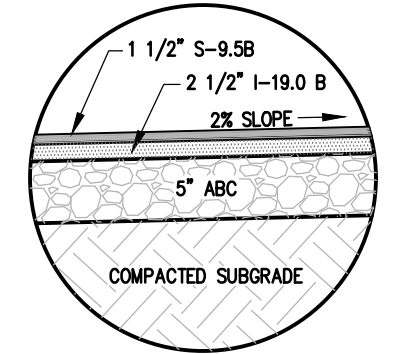
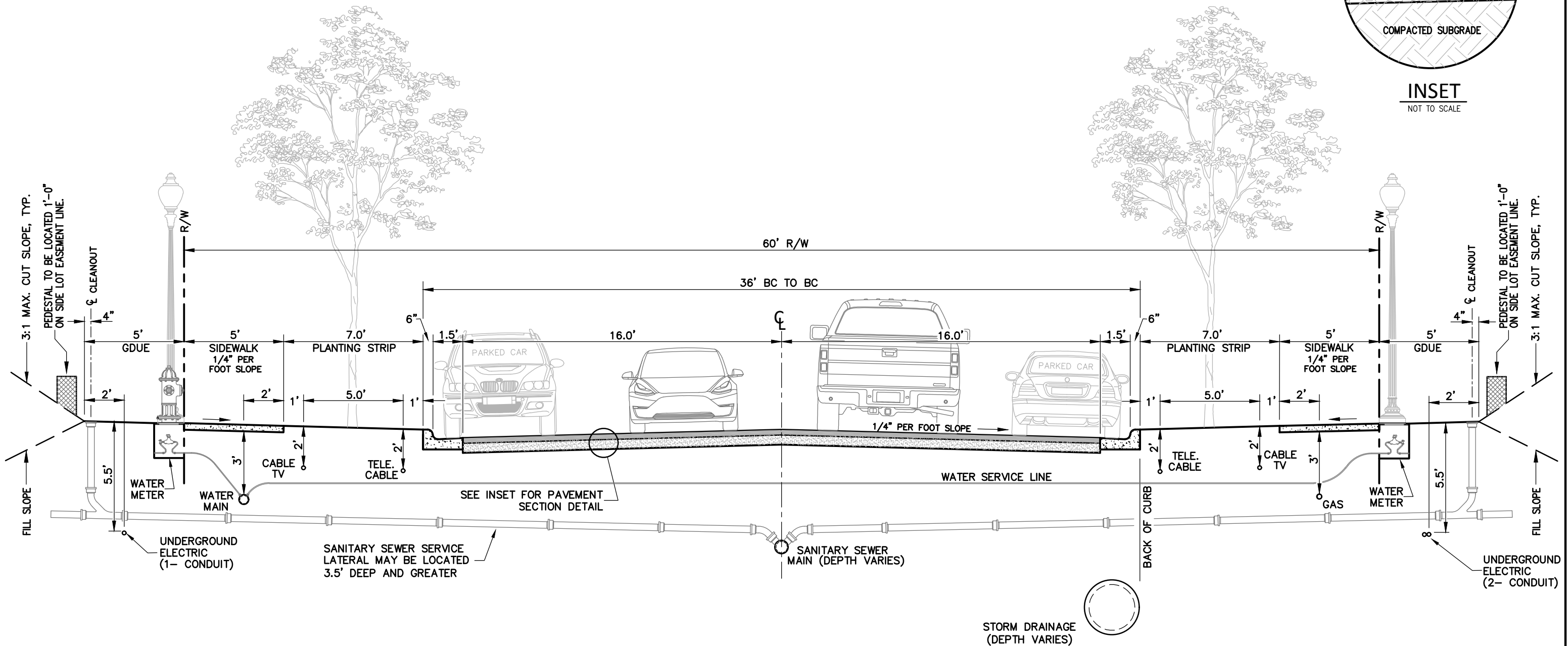


NOTE:

1. PARKING ALLOWED ON BOTH SIDES OF STREET.



INSET
NOT TO SCALE



REVISED	DATE: 05/25/21
	SCALE: NONE
	DRAWN BY: MGB, TAJ
	CHECKED BY: TAJ
	CITY ENGINEER: GVS



STANDARD DETAIL - R2D2
STANDARD STREET CROSS SECTION
ST1-60-32

OFFICE OF THE
CITY ENGINEER
GASTONIA, N.C.